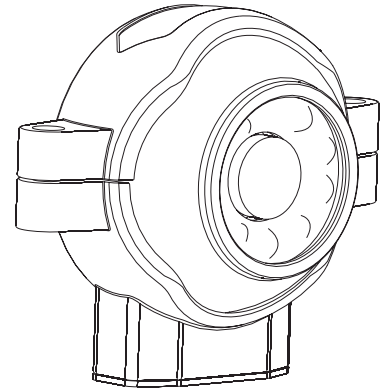


EYE BALL CAMERA OWNER'S MANUAL



RoHS



Salt-spray

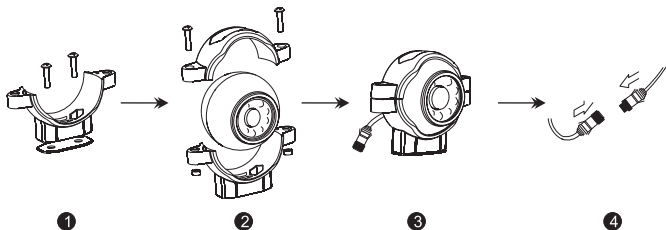
FEATURES

The camera is designed for different view to eliminate the blind spot.

- You can use the camera by a DC 12V/200mA.
- The camera is automatically turned on when the system is turned on.
- The camera automatically adjust the picture quality with the changing in the day & night.
- Water resistant housing.
- Operates over a wide temperature range.

INSTALLATION

1. Fix the camera bracket on the vehicle firmly.
2. Install the camera.
3. Installation finished.
4. Attach the camera cable to the extension cable.



CLEANING AND CARING

Caution!

Do not use sharp or hard objects to clean the device as these may damage the device.

- ◇ Clean the camera with a soft, damp cloth from time to time.
- ◇ Please don't plug or unplug when the system is powered on, the resulting issues will not be within the scope of warranty!

CHECKING AND SETTING

- ◇ Check the function of the camera after you have connected it to a monitor.
- ◇ Align the camera using the image on the monitor to help you:
The monitor image should show the rear or the bumper of the vehicle at the bottom edge of the screen. The middle of the bumper should be in the middle of the screen.
- ◇ Tighten the six fastening screws of the camera bracket.

Settings for contrast and brightness can be made on the monitor.

SPECIFICATIONS

Image type	Color Sharp CCD
Resolution (pixels)	PAL: 752(H)*582(V)
Image size	1/3 inch
Lens	3.0mm
Lens angle	110°(diagonal)
Synchronization	Internal
Horizontal resolution	600 TV Lines
Power supply	DC 12V±10%
Power consumption	≤ 1.5W
Signal to noise ratio	> 46dB
Operating temperature range	-30°C to +70°C
Storage temperature range	-40°C to +80°C
Dimension	77(L)*64(W)* 51(H)mm
Weight	154g